

YFLOATANK

Float tank and brass float valve

PARTS LIST

YFLOATANK Y28.2055.00
 FLOAT TANK with LID / YFLOATVALVE

No.	Part No.	Description	Kit	Qty.
1.	Y28.2000.30	Tank with Cover		1
3.	Y26.0373.21	Screw		1
4.	Y28.0056.31	Fitting, Tank		1
5.	Y10.3068.00	O-Ring, .676 x .070		1
6.	Y29.0171.31	Nut, 3/8 BSPP		1
7.	YFLOATVALVE	Float Valve, Brass		1

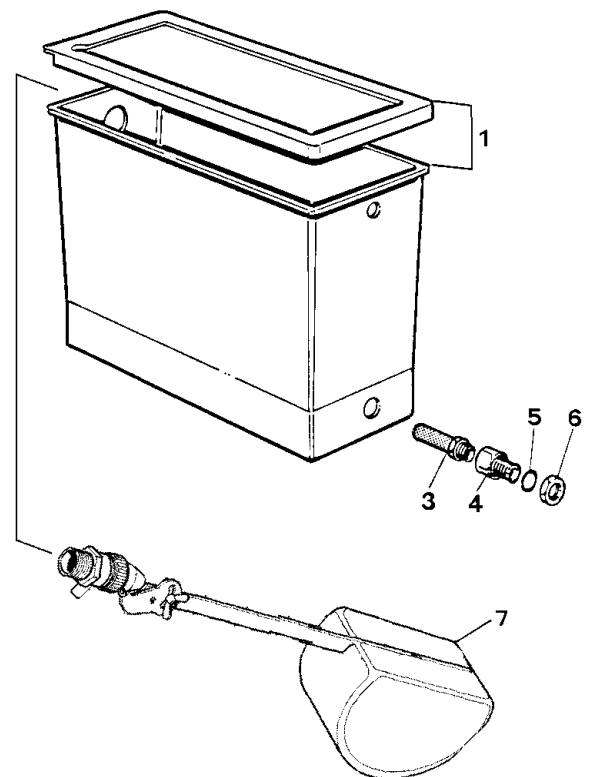
Y29.0160.00: BRASS FLOAT VALVE PARTS LIST

No.	Part No.	Description	Kit	Qty.
1.	Y29.0162.36	Barb, Outlet		1
2.	Y29.0161.31	Housing, Valve		1
3.	Y29.0166.81	Diaphragm	*	1
4.	Y29.0164.84	Rod, Piston, Plastic	*	1
5.	Y29.0169.31	Cover, Brass		1
6.	Y11.0549.01	Pin, Cotter, 3 x 20 mm		1
7.	Y29.0163.36	Ring, Metal		1
8.	Y29.0168.35	Lever		1
9.	Y12.0015.00	Nut, Wing, Brass, M5 x 10		1
10.	Y29.0190.31	Arm		1
11.	Y29.0191.84	Float		1
12.	Y29.0165.84	Seat	*	1
13.	Y29.0172.36	Connection, 3/8"		1
14.	Y29.0176.81	Washer, 3/8 BSPP, Rubber		1
15.	Y29.0171.31	Nut, 3/8 BSPP		1
*	YKITFLT	REPAIR KIT		

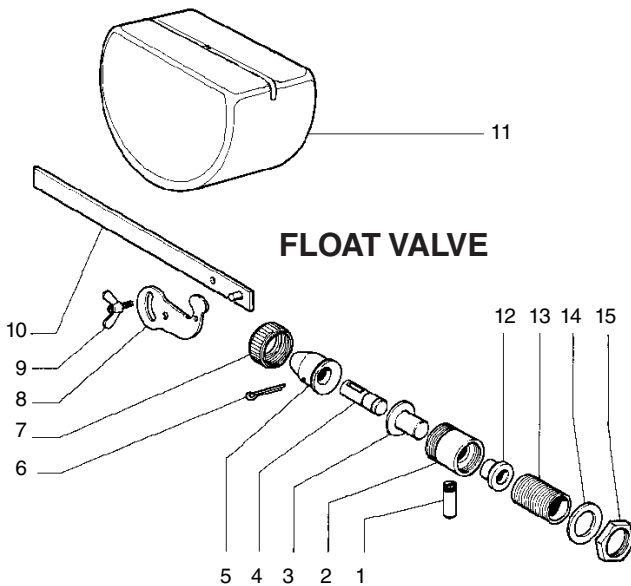
SPECIFICATIONS

Part Number:	Float Tank & Valve	YFLOATANK
	Valve Only	YFLOATVALVE
Maximum Flow Rate	7 GPM	
Maximum Pressure	140 PSI	
Maximum Temperature	140° F	
Tank Capacity	1 U.S. Gallon	
Port Sizes: Inlet	3/8-19BSPP-M	
Dimensions	11.0 x 8.5 x 5.0 in.	
Weight	1.0 lb.	
Material	Brass, Plastic, Buna-N.	

FLOAT TANK with FLOAT VALVE



FLOAT VALVE



OTHER ACCESSORIES

OTHER ACCESSORIES